



# *Flexible Screw Conveyors for Dry Bulk Solids*



*Economical*

*Simple, yet rugged  
construction*

*Dust tight*

*Easy disassembly for  
cleaning and maintenance*

*Wide variety of lengths,  
diameters and auger  
profiles*

*Portable models available  
by request*

*In-House testing available*



# **RENOLD**

*Superior Technology*

[www.renold.com](http://www.renold.com)

# Flexible Screw Conveyors

Flexible screw conveyors manufactured by Renold AJAX are a durable and reliable way to feed a variety of bulk materials. They come standard with an inlet hopper, screw casing, helical screw, discharge head and drive. The bulk material is transferred up the casing by the rotating flexible screw. Bulk powders, flake, pellets and many other materials can be fed at rates up to 450 cubic feet/hour in conveyor lengths up to 40 feet. Product contact surfaces are 304SS and UHMWPE.



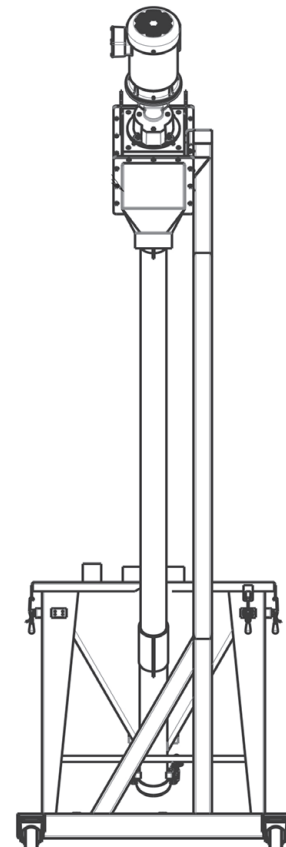
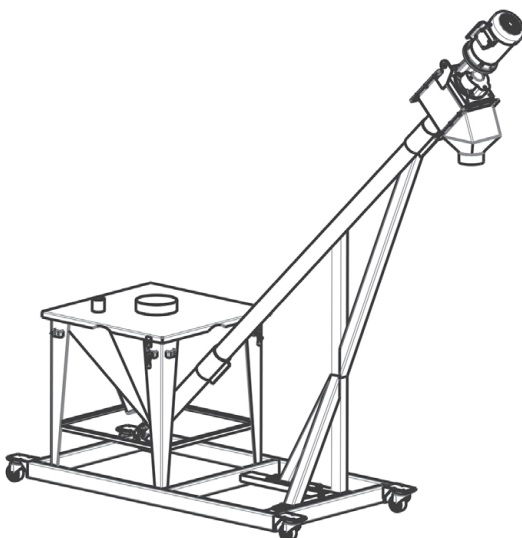
*Flexible Screw Conveyor incorporated into our Bulk Bag Unloader*

Auger Diameter	Auger Style	Auger RPM	Capacity (ft <sup>3</sup> /hour)	Capacity (ft <sup>3</sup> /min.)
3"	Flat	600	120	2.00
		450	90	1.50
		360	72	1.20
		240	48	0.80
		180	36	0.60
3"	Round	600	60	1.00
		450	45	0.75
		360	36	0.60
		240	24	0.40
		180	18	0.30
4"	Flat	600	230	3.83
		450	173	2.88
		360	138	2.30
		240	92	1.53
		180	69	1.15
4"	Round	600	90	1.50
		450	68	1.13
		360	54	0.90
		240	36	0.60
		180	27	0.45
6"	Flat	360	450	7.50
		240	300	5.00
		180	225	3.75
6"	Round	360	230	3.83
		240	150	2.50
		180	115	1.92

The above capacities assume a 45 degree pickup and discharge angle

### Options:

- Boom or ceiling suspended
- Wide range of hopper configurations
- Flow aids such as hopper agitators, vibrators, air pads and delumpers
- Portable or fixed base
- Augers available in various diameters with 3 different profiles
- Load cells for dosing



**Renold Ajax**

100 Bourne Street  
Westfield, NY 14787-0546  
Toll Free Tel: 1-800-879-2529

**Renold Canada**

622 Rue De Hull  
Ville La Salle  
Quebec, Canada H8R 1V9  
Toll Free Tel: 1-800-265-9970  
Tel: (514) 367-1764  
Fax: (514) 367-4993

***RENOLD***  
*Superior Technology*